

Commander (CO)



BLANK



BLANK



22MM IN-LINE



30MM IN-LINE



30MM MULTI-HOLE



POLYCARBONATE

Commander | Fiberglass | Blank

4 COVER SCREWS, LIFT OFF COVER



CONSTRUCTION

Material (Box & Cover)	Hot compression molded fiberglass reinforced polyester (thermoset)
Gasket Material	Poured polyurethane seamless gasket
Cover Screw Material	Recessed captive 304 stainless steel
Cover Screw Size	#10-24 x 3/4
Cover Screw Torque	20-24 in.-lbs.
Enclosure mounting	Mounting wells located under the cover/outside the gasket area
Soft Edge Design	Rounded edges, minimal protrusions or exposed pocket areas for assembly of dust and debris

INDUSTRY STANDARDS

UL/cUL File #	E64358
NEMA Ratings (UL508A, UL50 & UL50e)	1, 3R, 4X, 6P, 12
CSA Std. C22.2 File #	1, 3R, 4X, 6P, 12 per CSA File# LR069014
IEC 60529 Ratings	IP66, IP67, IP68 per UL file# E362920
UL 1741 File #	E333478
Temperature Range	(-76° F to +274° F) (-60° C to +134° C)
Flammability Rating	UL94-5V
Self extinguishing	Non-halogenated, non-flame propagating
NFPA No. 101 Flame Spread	Class A (1)
Certifications	cULus, CSA, IEC, REACH, RoHS
Outdoor UV Exposure (UL 746C)	(f1) Rated
Plenum Space Rating (UL 2043)	Yes
Chemical Resistance	See chart on page 120

ACCESSORIES

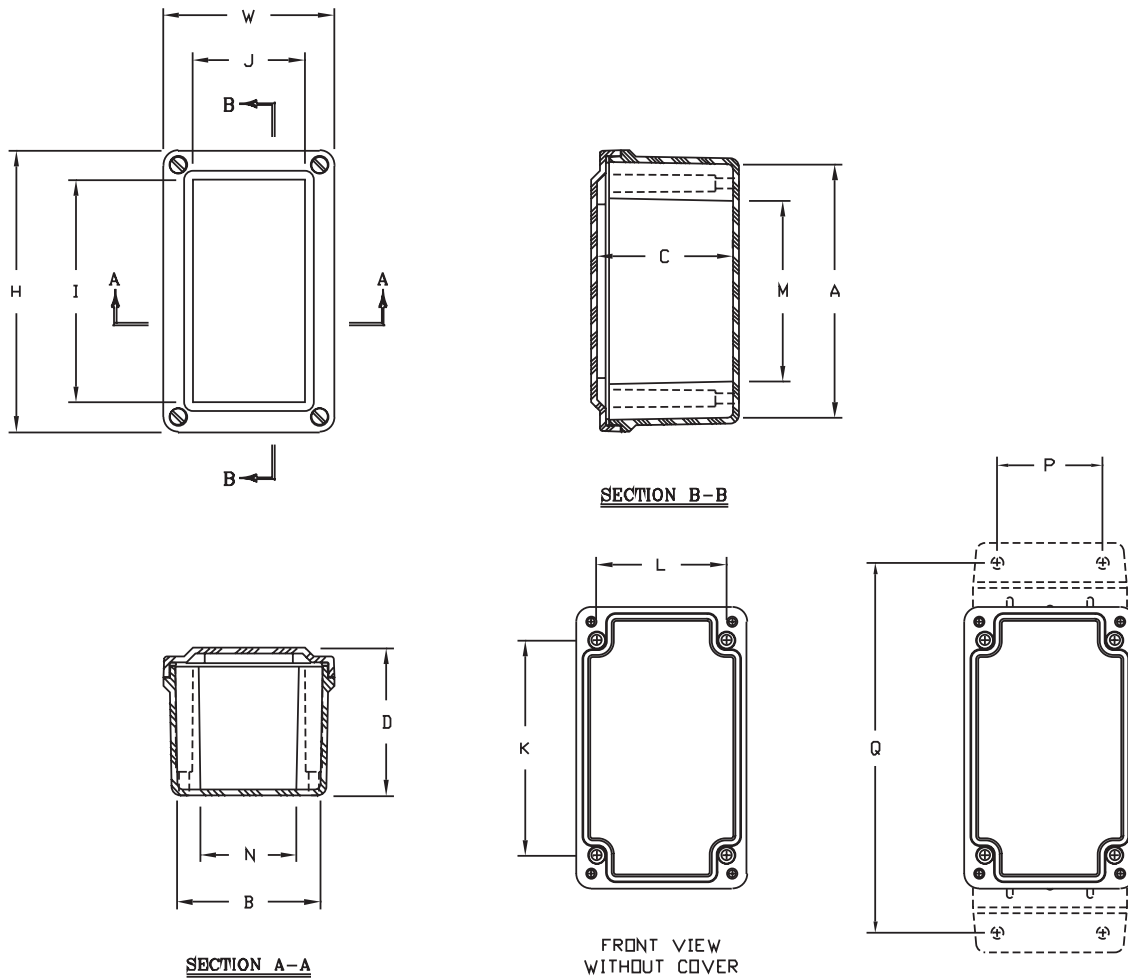
Accessory Kit (Screws)	pg. 104
Mounting Feet	COMTGFTKIT
All Other Accessories	Pg. 102-117

MODIFICATIONS

Custom Colors	pg. 10-11
Silk Screening	pg. 10-11
Custom Cutouts/Holes	pg. 10-11

Commander | Fiberglass | Blank

TECHNICAL DRAWINGS / DIMENSIONS



COMMANDER SERIES FIBERGLASS BLANK CONFIGURATION DIMENSIONS

SIZE ID NUMBER	OVERALL H X W X D	INSIDE A X B X C	I	J	K	L	M	N	P	Q	SHIPPING WEIGHT
*C0332	3.72 x 3.63 x 2.95 (95 x 92 x 75)	3.13 x 3.03 x 2.70 (79 x 77 x 69)	0 (0)	0 (0)	2.31 (59)	2.75 (70)	1.59 (40)	2.03 (52)	2.2 (56)	4.4 (112)	0.9 lbs.
C0532	5.97 x 3.63 x 3.14 (152 x 92 x 80)	5.38 x 3.03 x 2.87 (137 x 77 x 73)	4.72 (120)	2.38 (61)	4.56 (116)	2.75 (70)	3.84 (98)	2.03 (52)	2.2 (56)	6.7 (169)	1.2 lbs.
C0644	6.63 x 3.81 x 3.89 (168 x 97 x 99)	6.00 x 3.19 x 3.63 (153 x 81 x 92)	5.31 (135)	2.50 (64)	4.88 (124)	2.94 (75)	4.13 (105)	2.19 (56)	2.2 (56)	7.3 (186)	1.5 lbs.
C0832	8.41 x 3.63 x 3.14 (214 x 92 x 80)	7.82 x 3.03 x 2.87 (199 x 77 x 73)	7.16 (182)	2.38 (60)	7.00 (178)	2.75 (70)	6.28 (160)	2.03 (52)	2.2 (56)	9.1 (231)	1.5 lbs.
C0844	8.88 x 3.81 x 3.89 (225 x 97 x 99)	8.26 x 3.19 x 3.63 (210 x 81 x 92)	7.56 (192)	2.50 (64)	7.13 (181)	2.94 (75)	6.38 (162)	2.19 (56)	2.2 (56)	9.6 (243)	1.8 lbs.
C0932	9.35 x 3.63 x 3.14 (237 x 92 x 80)	8.75 x 3.03 x 2.87 (222 x 77 x 73)	8.10 (206)	2.38 (60)	7.94 (202)	2.75 (70)	7.22 (183)	2.03 (52)	2.2 (56)	10.1 (256)	1.6 lbs.
C01144	11.13 x 3.81 x 3.89 (283 x 97 x 99)	10.51 x 3.19 x 3.63 (267 x 81 x 92)	9.81 (249)	2.50 (64)	9.37 (238)	2.94 (75)	8.63 (219)	2.19 (56)	2.2 (56)	11.8 (300)	2.1 lbs.
C01432	13.78 x 3.63 x 3.14 (350 x 92 x 80)	13.19 x 3.03 x 2.87 (335 x 77 x 73)	12.53 (318)	2.38 (60)	12.37 (314)	2.75 (70)	11.66 (296)	2.03 (52)	2.2 (56)	14.5 (368)	2.1 lbs.
C01732	17.35 x 3.63 x 3.14 (441 x 92 x 80)	16.75 x 3.03 x 2.87 (426 x 77 x 73)	16.10 (409)	2.38 (60)	15.94 (405)	2.75 (70)	15.22 (387)	2.03 (52)	2.2 (56)	18 (458)	2.8 lbs.

*Flat Cover

All measures are in inches, items in parentheses are in millimeters

Commander | Fiberglass | Blank

4 COVER SCREWS, LIFT OFF COVER



CONSTRUCTION

Material (Box & Cover)	Hot compression molded fiberglass reinforced polyester (thermoset)
Gasket Material	Poured polyurethane seamless gasket
Cover Screw Material	Recessed captive 304 stainless steel
Cover Screw Size	#10-24 x 3/4
Cover Screw Torque	20-24 in.-lbs.
Enclosure mounting	Mounting wells located under the cover/outside the gasket area
Back Panel Screw Size	#10-32x3/8
Panel Mounting	Raised bosses with brass inserts accepting #10-32x3/8 screws for optional panel mounting
Soft Edge Design	Rounded edges, minimal protrusions or exposed pocket areas for assembly of dust and debris

INDUSTRY STANDARDS

UL/cUL File #	E64358
NEMA Ratings (UL508A, UL50 & UL50e)	1, 3R, 4X, 6P, 12
CSA Std. C22.2 File #	1, 3R, 4X, 6P, 12 per CSA File# LR069014
IEC 60529 Ratings	IP66, IP67, IP68 per UL file# E362920
UL 1741 File #	E333478
Temperature Range	(-76°F to +274°F) (-60°C to +134°C)
Flammability Rating	UL94-5V
Self extinguishing	Non-halogenated, non-flame propagating
NFPA No. 101 Flame Spread	Class A (1)
Certifications	cULus, CSA, IEC, REACH, RoHS
Outdoor UV Exposure (UL 746C)	(f1) Rated
Plenum Space Rating (UL 2043)	Yes
Chemical Resistance	See chart on page 120

ACCESSORIES

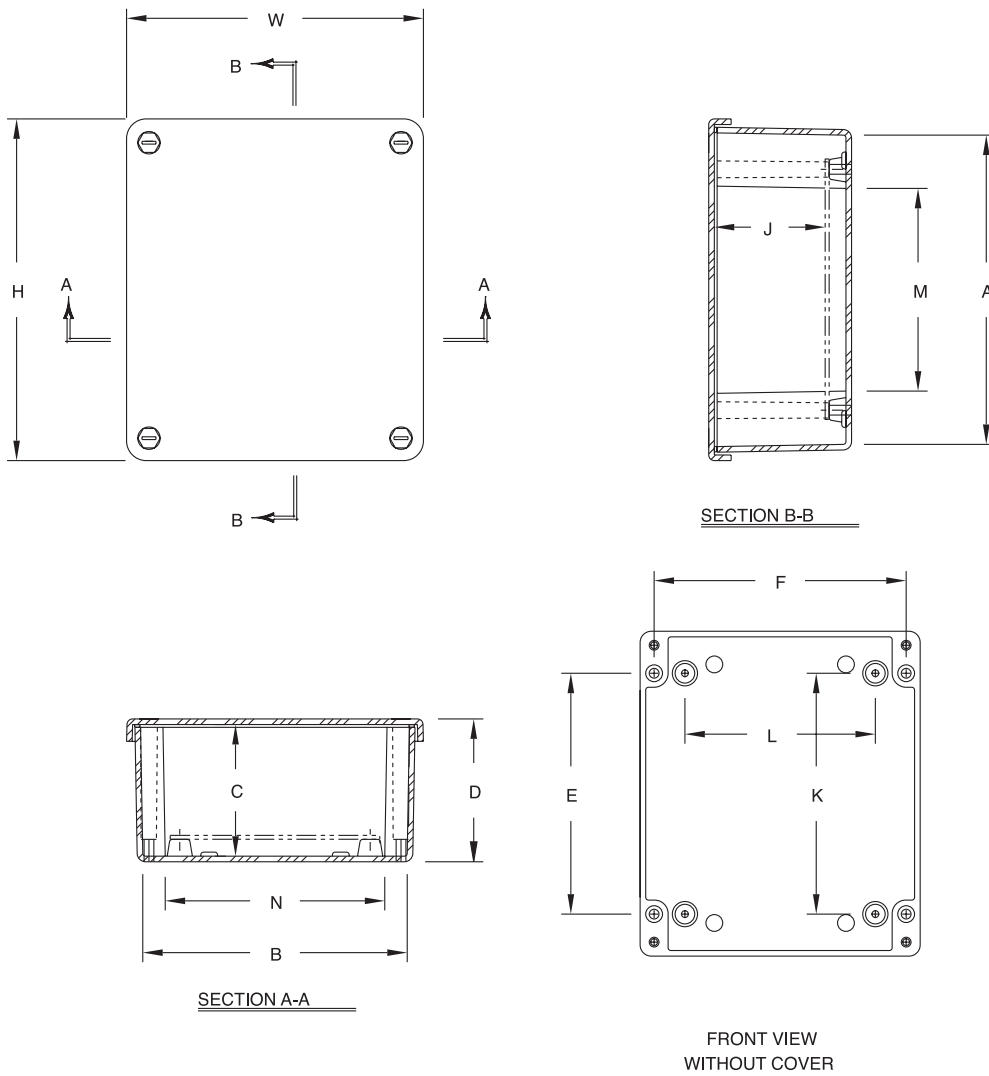
Aluminum Back Panel	BP_A	pg. 108
Carbon Steel Back Panel	BP_CS	pg. 108
All Other Accessories		Pg. 102-117

MODIFICATIONS

Custom Colors	pg. 10-11
Silk Screening	pg. 10-11
Custom Cutouts/Holes	pg. 10-11

Commander | Fiberglass | Blank

TECHNICAL DRAWINGS / DIMENSIONS



COMMANDER SERIES FIBERGLASS BLANK CONFIGURATION DIMENSIONS

SIZE ID NUMBER	OVERALL H X W X D	INSIDE A X B X C	MOUNTING E X F	J	K	L	M	N	SHIPPING WEIGHT	PANEL NUMBER
C0763	7.63 x 6.63 x 3.19 (194 x 168 x 81)	6.90 x 5.90 x 2.88 (175 x 150 x 73)	5.37 x 5.63 (137 x 143)	2.48 (63)	5.37 (137)	4.25 (108)	4.52 (115)	4.9 (124)	2.5 lbs.	BP76*
C0963	9.87 x 6.63 x 3.19 (251 x 168 x 81)	9.15 x 5.90 x 2.88 (232 x 150 x 73)	7.62 x 5.63 (194 x 143)	2.48 (63)	7.62 (194)	4.25 (108)	6.77 (172)	4.9 (124)	2.6 lbs.	BP96*

*Panel ordered separately
All measures are in inches, items in parentheses are in millimeters

Commander | Fiberglass | 30mm In-Line Configuration

4 COVER SCREWS, LIFT OFF COVER



CONSTRUCTION

Material (Box & Cover)	Hot compression molded fiberglass reinforced polyester (thermoset)
Gasket Material	Poured polyurethane seamless gasket
Cover Screw Material	Recessed captive 304 stainless steel
Cover Screw Size	#10-24 x 3/4
Cover Screw Torque	20-24 in.-lbs.
Enclosure mounting	Mounting wells located under the cover/outside the gasket area
Soft Edge Design	Rounded edges, minimal protrusions or exposed pocket areas for assembly of dust and debris

INDUSTRY STANDARDS

UL/cUL File #	E64358
NEMA Ratings (UL508A, UL50 & UL50e)	1, 3R, 4X, 6P, 12
CSA Std. C22.2 File #	1, 3R, 4X, 6P, 12 per CSA File# LR069014
IEC 60529 Ratings	IP66, IP67, IP68 per UL file# E362920
UL 1741 File #	E333478
Temperature Range	(-76° F to +274° F) (-60° C to +134° C)
Flammability Rating	UL94-5V
Self extinguishing	Non-halogenated, non-flame propagating
NFPA No. 101 Flame Spread	Class A (1)
Certifications	cULus, CSA, IEC, REACH, RoHS
Outdoor UV Exposure (UL 746C)	(f1) Rated
Plenum Space Rating (UL 2043)	Yes
Chemical Resistance	See chart on page 120

ACCESSORIES

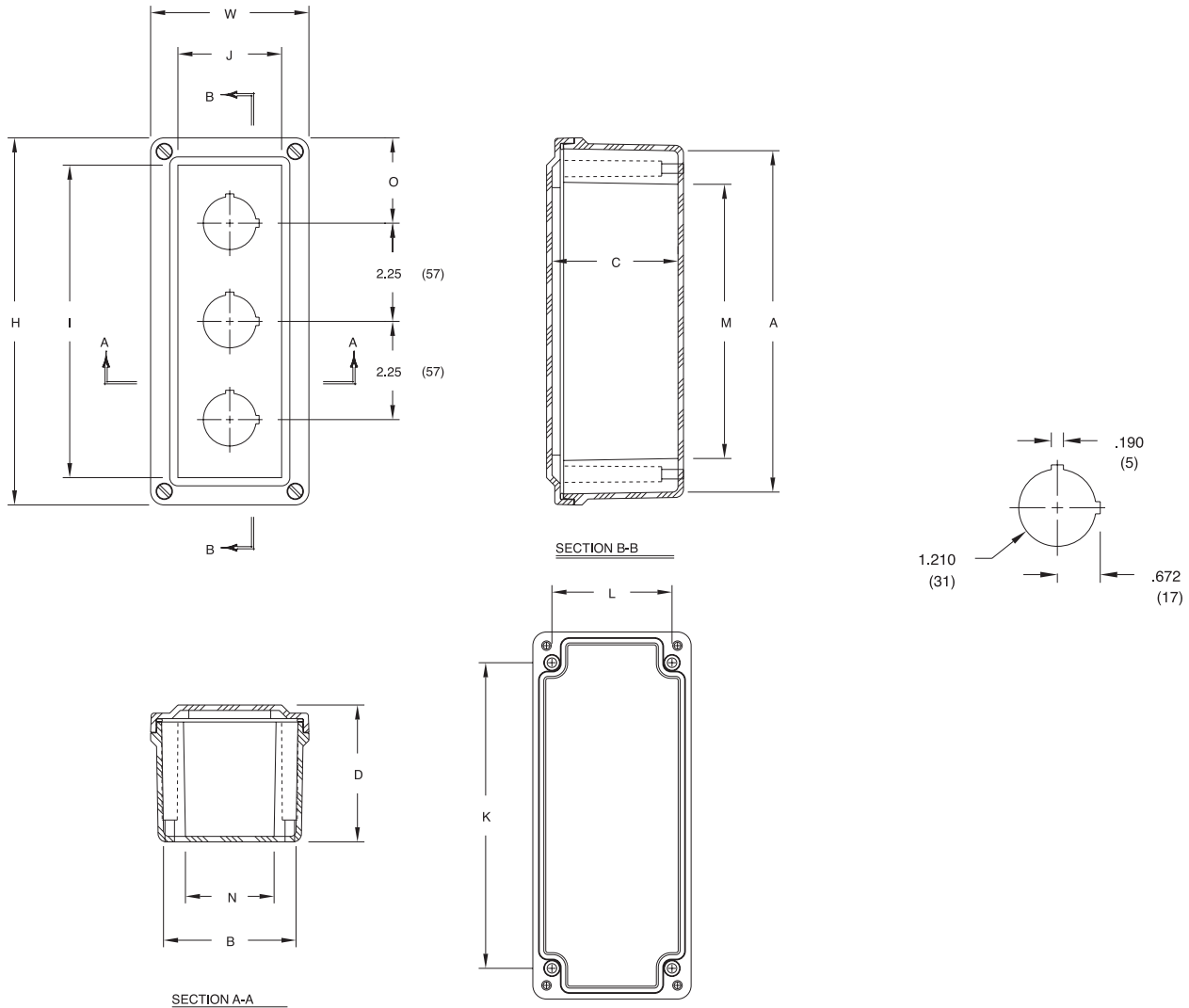
Accessory Kit (Screws)	pg. 104
Mounting Feet	COMTGFTKIT
All Other Accessories	Pg. 102-117

MODIFICATIONS

Custom Colors	pg. 10-11
Silk Screening	pg. 10-11
Custom Cutouts/Holes	pg. 10-11

Commander | Fiberglass | 30mm In-Line Configuration

TECHNICAL DRAWINGS / DIMENSIONS



COMMANDER SERIES FIBERGLASS 30mm IN-LINE CONFIGURATION DIMENSIONS

SIZE ID NUMBER	OVERALL H X W X D	INSIDE A X B X C	I	J	K	L	M	N	O	SHIPPING WEIGHT
CO1PB	6.63 x 3.81 x 3.89 (168 x 97 x 99)	6.00 x 3.19 x 3.63 (153 x 81 x 92)	5.31 (135)	2.5 (64)	4.88 (124)	2.94 (75)	4.13 (105)	2.19 (56)	3.31 (84)	1.5 lbs.
CO2PB	6.63 x 3.81 x 3.89 (168 x 97 x 99)	6.00 x 3.19 x 3.63 (153 x 81 x 92)	5.31 (135)	2.5 (64)	4.88 (124)	2.94 (75)	4.13 (105)	2.19 (56)	2.19 (56)	1.5 lbs.
CO3PB	8.88 x 3.81 x 3.89 (225 x 97 x 99)	8.26 x 3.19 x 3.63 (210 x 81 x 92)	7.56 (192)	2.5 (64)	7.13 (181)	2.94 (75)	6.38 (162)	2.19 (56)	2.19 (56)	1.8 lbs.
CO4PB	11.13 x 3.81 x 3.89 (283 x 97 x 99)	10.51 x 3.19 x 3.63 (267 x 81 x 92)	9.81 (249)	2.5 (64)	9.37 (238)	2.94 (75)	8.63 (219)	2.19 (56)	2.19 (56)	2.0 lbs.
CO5PB	13.78 x 3.63 x 3.14 (350 x 92 x 80)	13.19 x 3.03 x 2.87 (335 x 77 x 73)	12.53 (318)	2.38 (60)	12.37 (314)	2.75 (70)	11.66 (296)	2.03 (52)	2.39 (61)	2.1 lbs.
CO6PB	17.35 x 3.63 x 3.14 (441 x 92 x 80)	16.75 x 3.03 x 2.87 (426 x 77 x 73)	16.1 (409)	2.38 (60)	15.94 (405)	2.75 (70)	15.22 (387)	2.03 (52)	3.05 (77)	3.0 lbs.

All measures are in inches, items in parentheses are in millimeters.
Note: Shown CO3PB for Reference.

Commander | Fiberglass | 22mm In-Line Configuration

4 COVER SCREWS, LIFT OFF COVER



CONSTRUCTION

Material (Box & Cover)	Hot compression molded fiberglass reinforced polyester (thermoset)
Gasket Material	Poured polyurethane seamless gasket
Cover Screw Material	Recessed captive 304 stainless steel
Cover Screw Size	#10-24 x 3/4
Cover Screw Torque	20-24 in.-lbs.
Enclosure mounting	Mounting wells located under the cover/outside the gasket area
Soft Edge Design	Rounded edges, minimal protrusions or exposed pocket areas for assembly of dust and debris

INDUSTRY STANDARDS

UL/cUL File #	E64358
NEMA Ratings (UL508A, UL50 & UL50e)	1, 3R, 4X, 6P, 12
CSA Std. C22.2 File #	1, 3R, 4X, 6P, 12 per CSA File# LR069014
IEC 60529 Ratings	IP66, IP67, IP68 per UL file# E362920
UL 1741 File #	E333478
Temperature Range	(-76° F to +274° F) (-60° C to +134° C)
Flammability Rating	UL94-5V
Self extinguishing	Non-halogenated, non-flame propagating
NFPA No. 101 Flame Spread	Class A (1)
Certifications	cULus, CSA, IEC, REACH, RoHS
Outdoor UV Exposure (UL 746C)	(f1) Rated
Plenum Space Rating (UL 2043)	Yes
Chemical Resistance	See chart on page 120

ACCESSORIES

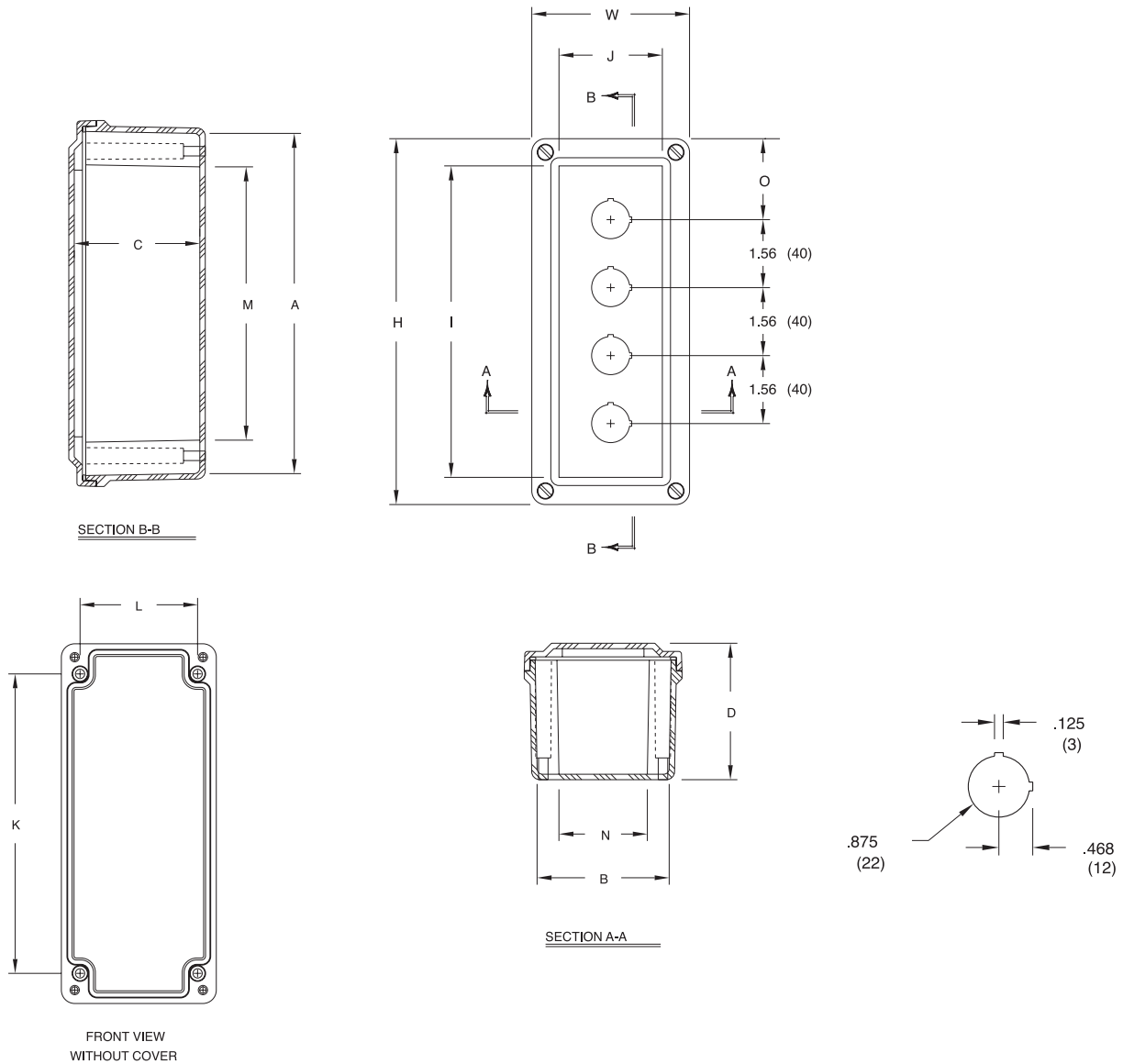
Accessory Kit (Screws)	pg. 104
Mounting Feet	COMTGFTKIT
All Other Accessories	Pg. 102-117

MODIFICATIONS

Custom Colors	pg. 10-11
Silk Screening	pg. 10-11
Custom Cutouts/Holes	pg. 10-11

Commander | Fiberglass | 22mm In-Line Configuration

TECHNICAL DRAWINGS / DIMENSIONS



COMMANDER SERIES FIBERGLASS 22mm IN-LINE CONFIGURATION DIMENSIONS

SIZE ID NUMBER	OVERALL H X W X D	INSIDE A X B X C	I	J	K	L	M	N	O	SHIPPING WEIGHT
CO1PB22	6.63 x 3.81 x 3.89 (168 x 97 x 99)	6.00 x 3.19 x 3.63 (153 x 81 x 92)	5.31 (135)	2.5 (64)	4.88 (124)	2.94 (75)	4.13 (105)	2.19 (56)	3.31 (84)	1.6 lbs.
CO2PB22	6.63 x 3.81 x 3.89 (168 x 97 x 99)	6.00 x 3.19 x 3.63 (153 x 81 x 92)	5.31 (135)	2.5 (64)	4.88 (124)	2.94 (75)	4.13 (105)	2.19 (56)	2.53 (64)	1.6 lbs.
CO3PB22	6.63 x 3.81 x 3.89 (168 x 97 x 99)	6.00 x 3.19 x 3.63 (153 x 81 x 92)	5.31 (135)	2.5 (64)	4.88 (124)	2.94 (75)	4.13 (105)	2.19 (56)	1.75 (44)	1.6 lbs.
CO4PB22	8.88 x 3.81 x 3.89 (225 x 97 x 99)	8.26 x 3.19 x 3.63 (210 x 81 x 92)	7.56 (192)	2.5 (64)	7.13 (181)	2.94 (75)	6.38 (162)	2.19 (56)	2.09 (53)	1.8 lbs.
CO5PB22	11.13 x 3.81 x 3.89 (283 x 97 x 99)	10.51 x 3.19 x 3.63 (267 x 81 x 92)	9.81 (249)	2.5 (64)	9.37 (238)	2.94 (75)	8.63 (219)	2.19 (56)	2.44 (62)	2.1 lbs.
CO6PB22	11.13 x 3.81 x 3.89 (283 x 97 x 99)	10.51 x 3.19 x 3.63 (267 x 81 x 92)	9.81 (249)	2.5 (64)	9.37 (238)	2.94 (75)	8.63 (219)	2.19 (56)	1.66 (42)	2.1 lbs.

All measures are in inches, items in parentheses are in millimeters.
 Note: Shown CO4PB22 for Reference.

Commander | Fiberglass | 30mm Multi-Hole Configuration

4 COVER SCREWS, LIFT OFF COVER



CONSTRUCTION

Material (Box & Cover)	Hot compression molded fiberglass reinforced polyester (thermoset)
Gasket Material	Poured polyurethane seamless gasket
Cover Screw Material	Recessed captive 304 stainless steel
Cover Screw Size	#10-24 x 3/4
Cover Screw Torque	20-24 in.-lbs.
Stainless Steel Hardware	300 series stainless steel used on all external hardware
Cover Retention	Stainless steel beaded cover retention chain
Back Panel Screw Size	#10-32x3/8
Panel Mounting	Raised bosses with brass inserts accepting #10-32x3/8 screws for optional panel mounting
Mounting Feet	Integral Mounting Flange
Soft Edge Design	Rounded edges, minimal protrusions or exposed pocket areas for assembly of dust and debris

INDUSTRY STANDARDS

UL/cUL File #	E64358
NEMA Ratings (UL508A, UL50 & UL50e)	1, 3R, 4X, 6P, 12
CSA Std. C22.2 File #	1, 3R, 4X, 6P, 12 per CSA File# LR069014
IEC 60529 Ratings	IP66, IP67, IP68 per UL file# E362920
UL 1741 File #	E333478
Temperature Range	(-76°F to +274°F) (-60°C to +134°C)
Flammability Rating	UL94-5V
Self extinguishing	Non-halogenated, non-flame propagating
NFPA No. 101 Flame Spread	Class A (1)
Certifications	cULus, CSA, IEC, REACH, RoHS
Outdoor UV Exposure (UL 746C)	(f1) Rated
Plenum Space Rating (UL 2043)	Yes
Chemical Resistance	See chart on page 120

ACCESSORIES

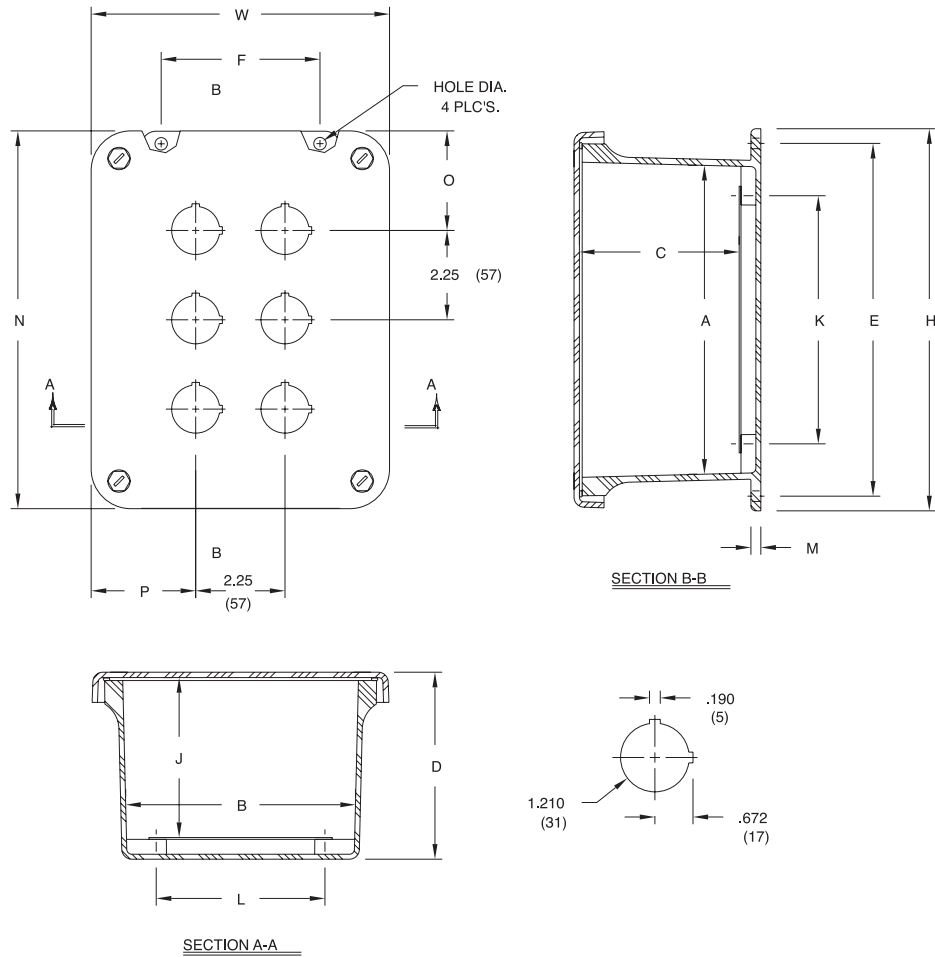
Aluminum Back Panel	BP_A	pg. 108
Carbon Steel Back Panel	BP_CS	pg. 108
Accessory Kit (Screws)		pg. 104
All Other Accessories		Pg. 102-117

MODIFICATIONS

Custom Colors	pg. 10-11
Silk Screening	pg. 10-11
Custom Cutouts/Holes	pg. 10-11
EMI/RFI Shielding	pg. 10-11

Commander | Fiberglass | 30mm Multi-Hole Configuration

TECHNICAL DRAWINGS / DIMENSIONS



COMMANDER SERIES FIBERGLASS 30mm MULTI-HOLE CONFIGURATION DIMENSIONS

CATALOG NUMBER	HOLE CONFIG.	OVERALL H X W X D	INSIDE A X B X C	MOUNTING E X F	J	K	L	M	N	O	P	HOLE DIA.	SHIPPING WT.	PANEL NUMBER
CO4PBW	2 x 2	7.50 x 7.50 x 4.75 (191 x 191 x 121)	5.72 x 5.72 x 4.45 (145 x 145 x 113)	6.75 x 4.00 (171 x 101)	4.00 (101)	4.25 (108)	4.25 (108)	0.25 (6)	7.52 (191)	2.64 (67)	2.64 (67)	0.31 (8)	2.7 lbs.	BP66*
CO6PBW	3 x 2	9.62 x 7.50 x 4.74 (244 x 191 x 121)	7.73 x 5.74 x 4.45 (196 x 146 x 113)	8.88 x 4.00 (225 x 101)	4.00 (101)	6.25 (159)	4.25 (108)	0.25 (6)	9.5 (242)	2.64 (67)	2.51 (64)	0.31 (8)	3.5 lbs.	BP86*
CO9PBW	3 x 3	11.62 x 9.41 x 4.25 (295 x 239 x 108)	9.73 x 7.73 x 3.98 (247 x 196 x 101)	10.75 x 6.00 (273 x 152)	3.50 (89)	8.25 (209)	6.25 (159)	0.25 (6)	11.35 (288)	3.43 (87)	2.45 (62)	0.31 (8)	5.0 lbs.	BP108*

All measures are in inches, items in parentheses are in millimeters.
 Note: Shown CO6PBW for Reference.
 * Panel ordered separately.

Commander | Polycarbonate

4 COVER SCREWS, LIFT OFF COVER



CONSTRUCTION

Material (Box & Cover)	Polycarbonate with UV inhibitors
Gasket Material	Poured polyurethane seamless gasket
Cover Screw Material	Custom polycarbonate screw
Cover Screw Size	Custom screw size
Cover Screw Torque	16 in.-lbs
Enclosure Mounting	Mounting wells located under the cover/outside the gasket area
Soft Edge Design	Rounded edges, minimal protrusions or exposed pocket areas for assembly of dust and debris

INDUSTRY STANDARDS

UL/cUL File #	E319779
NEMA Ratings (UL508A, UL50 & UL50e)	1, 3R, 4X, 6P, 12
IEC 60529 Ratings	IP66, IP67, IP68
Temperature Range	(-20°F to +240°F) (-29°C to +115°C)
Flammability Rating	UL94-5VA
Certifications	cULus, IEC, REACH, RoHS
Outdoor UV Exposure (UL 746C)	(f1) Rated
Chemical Resistance	See chart on page 120

ACCESSORIES

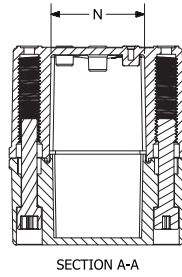
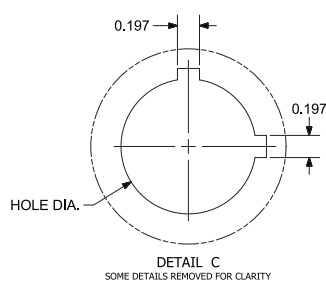
Accessory Kit (Screws)	pg. 104
All Other Accessories	Pg. 102-117

MODIFICATIONS

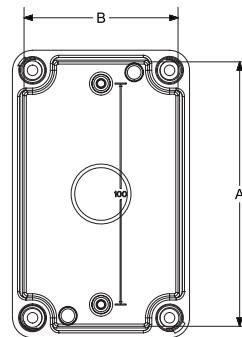
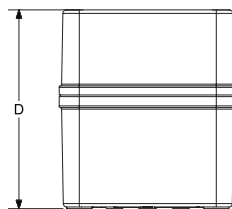
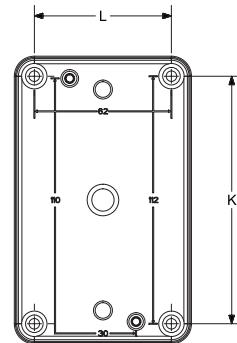
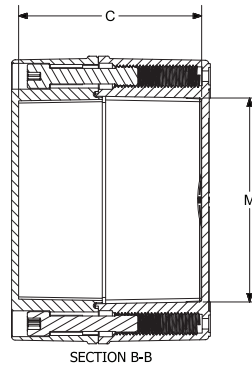
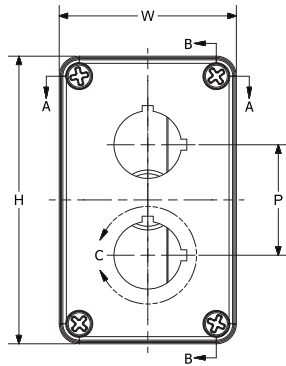
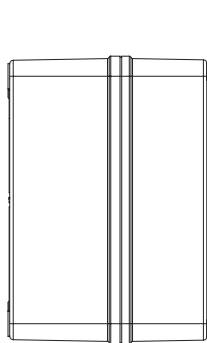
Custom Colors	pg. 10-11
Silk Screening	pg. 10-11
Custom Cutouts/Holes	pg. 10-11
EMI/RFI Shielding	pg. 10-11

Commander | Polycarbonate

TECHNICAL DRAWINGS / DIMENSIONS



COMMANDER SERIES POLYCARBONATE



BOX DETAIL
FRONT VIEW

- NOTES:
1. CATALOG DRAWING IS FOR REFERENCE ONLY
 2. SEE ACTUAL PART DRAWING FOR SPECIFIC DESIGN
 3. COVER OPTIONS:
 - BLANK - NO HOLES
 - 1PB - (1) 30 mm DIA. HOLE
 - 2PB - (2) 30 mm DIA. HOLES
 - 1PB22 - (1) 22 mm DIA. HOLE
 - 2PB22 - (2) 22 mm DIA. HOLES

COMMANDER SERIES POLYCARBONATE DIMENSIONS

CATALOG NUMBER	HOLE CONFIG.	OVERALL H X W X D	INSIDE A X B X C	K	L	M	N	P	HOLE DIA.	SHIPPING WT.
COPC432	Blank	4.34 x 3.16 x 2.79 (110 x 80 x 71)	3.92 x 2.74 x 2.51 (100 x 70 x 64)	3.62 (92)	2.44 (62)	2.85 (72)	1.66 (42)	N/A	N/A	CF
COPC533	Blank	5.12 x 3.16 x 3.54 (130 x 80 x 90)	4.71 x 2.74 x 3.26 (120 x 70 x 83)	4.41 (112)	2.44 (62)	3.63 (92)	1.66 (42)	N/A	N/A	CF
COPC1PB	1	4.34 x 3.16 x 2.79 (110 x 80 x 71)	3.92 x 2.74 x 2.51 (100 x 70 x 64)	3.62 (92)	2.44 (62)	2.85 (72)	1.66 (42)	N/A	1.20 (31)	CF
COPC2PB	2	5.12 x 3.16 x 3.54 (130 x 80 x 90)	4.71 x 2.74 x 3.26 (120 x 70 x 83)	4.41 (112)	2.44 (62)	3.63 (92)	1.66 (42)	1.97 (50)	1.20 (31)	CF
COPC1PB22	1	4.34 x 3.16 x 2.79 (110 x 80 x 71)	3.92 x 2.74 x 2.51 (100 x 70 x 64)	3.62 (92)	2.44 (62)	2.85 (72)	1.66 (42)	N/A	0.89 (23)	CF
COPC2PB22	2	5.12 x 3.16 x 3.54 (130 x 80 x 90)	4.71 x 2.74 x 3.26 (120 x 70 x 83)	4.41 (112)	2.44 (62)	3.63 (92)	1.66 (42)	1.97 (50)	0.89 (23)	CF

All measures are in inches, items in parentheses are in millimeters.
Note: Shown CO6PBW for Reference.
* Panel ordered separately.